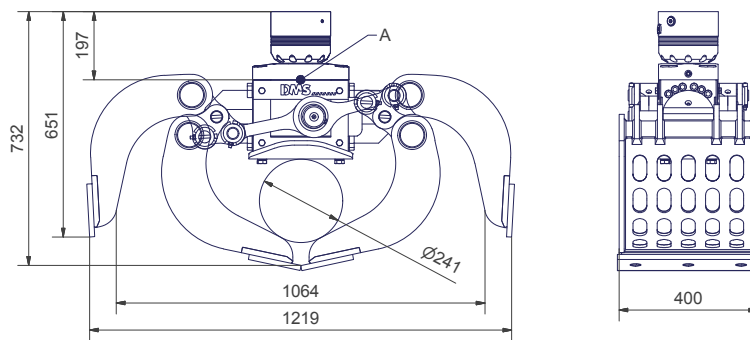




DMS Technologie GmbH

| | |
|--|-------|
| Volume [l]: | 76 |
| Recommended power density rotating [l]: | 6-25 |
| Recommended power density open/ closing [l]: | 30-45 |
| Weight (excl. rotator) [kg]: | 199 |
| Operating pressure grab [bar]: | 250 |
| Operating pressure rotate [bar]: | 250 |
| Closing force [kN]: | 20 |
| Torque [Nm]: | 1200 |
| Carrier weight [kg]: | 3500 |



// Available accessories

- Screw adaptors for quick-hitch Lehnhoff MS/HS
- Screw adaptors for other quick-hitches upon request
- Switching- Pivoting boom/
Second auxiliary circuit
- Adapter flange for internal solutions

// Delivery contents

- Grab with shells
- Screwed cutting edges
- Rotator

2-3,5t
AG3540

www.dms-tec.de

