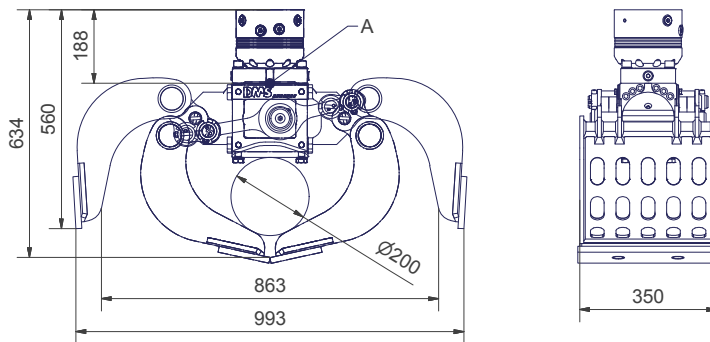


Volume [l]:	55
Recommended power density rotating [l]:	6-25
Recommended power density open/ closing [l]:	25-45
Weight (excl. rotator) [kg]:	119
Operating pressure grab [bar]:	250
Operating pressure rotate [bar]:	250
Closing force [kN]:	16
Torque [Nm]:	1200
Carrier weight [kg]:	3500



## // Available accessories

- Screw adaptors for quick-hitch Lehnhoff MS/HS
- Screw adaptors for other quick-hitches upon request
- Switching- Pivoting boom/  
Second auxiliary circuit
- Adapter flange for internal solutions

## // Delivery contents

- Grab with shells
- Screwed cutting edges
- Rotator

# 2-3,5t

AG3535

