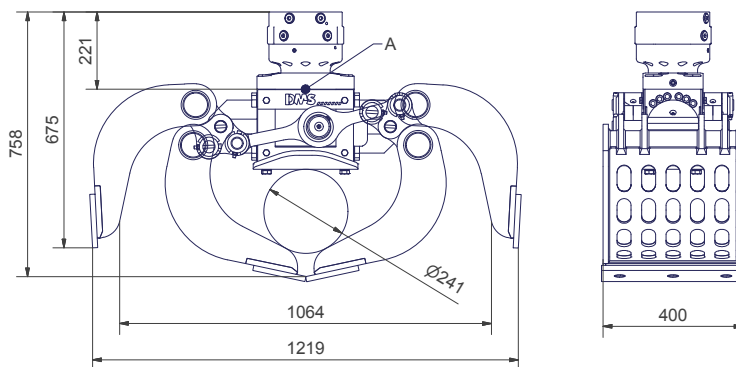


Volume [l]:	76
Recommended power density rotating [l]:	15-25
Recommended power density open/ closing [l]:	30-45
Weight (excl. rotator) [kg]:	199
Operating pressure grab [bar]:	250
Operating pressure rotate [bar]:	250
Closing force [kN]:	20
Torque [Nm]:	2500
Carrier weight [kg]:	6000



// Available accessories

- Screw adaptors for quick-hitch Lehnhoff MS/HS
- Screw adaptors for other quick-hitches upon request
- Switching- Pivoting boom/
Second auxiliary circuit
- Adapter flange for internal solutions

// Delivery contents

- Grab with shells
- Screwed cutting edges
- Rotator

3,5-6t

AG6040

