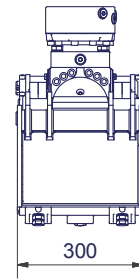
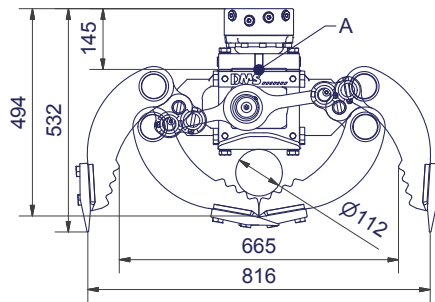




DMS Technologie GmbH

Volume [l]:	20
Recommended power density rotating [l]:	6-25
Recommended power density open/ close [l]:	25-40
Weight (excl. rotator) [kg]:	95
Operating pressure grab [bar]:	220
Operating pressure rotate [bar]:	220
Closing force [kN]:	16
Torque [Nm]:	1000
Carrier weight [kg]:	2000
Number of teeth:	3



// Available accessories

- Screw adaptors for quick-hitch Lehnhoff MS/HS
- Screw adaptors for other quick-hitches upon request
- Switching- Pivoting boom/
Second auxiliary circuit
- Adapter flange for internal solutions
- Softgrip
- Pipegrip

// Delivery contents

- Grab with shells
- Screwed teeth
- Rotator

1-2t
SG2030

www.dms-tec.de

