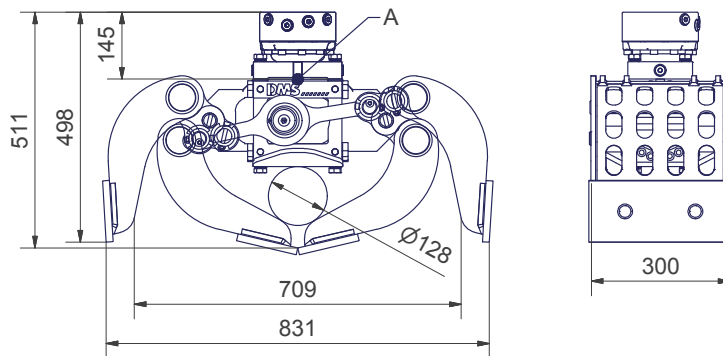




DMS Technologie GmbH

Volume [l]:	22
Recommended power density rotating [l]:	6-25
Recommended power density open/ closing [l]:	25-40
Weight (excl. rotator) [kg]:	98
Operating pressure grab [bar]:	220
Operating pressure rotate [bar]:	220
Closing force [kN]:	16
Torque [Nm]:	1000
Carrier weight [kg]:	2000



### // Available accessories

- Screw adaptors for quick-hitch Lehnhoff MS/HS
- Screw adaptors for other quick-hitches upon request
- Switching- Pivoting boom/  
Second auxiliary circuit
- Adapter flange for internal solutions

### // Delivery contents

- Grab with shells
- Screwed cutting edges
- Rotator

1-2t  
AG2030

[www.dms-tec.de](http://www.dms-tec.de)

