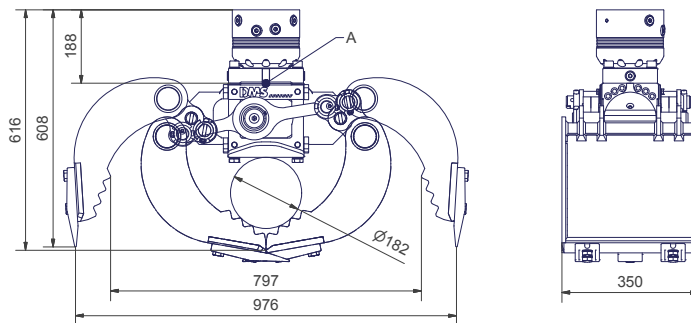


Volume [l]:	50
Recommended power density rotating [l]:	6-25
Recommended power density open/ close [l]:	25-45
Weight (excl. rotator) [kg]:	112
Operating pressure grab [bar]:	250
Operating pressure rotate [bar]:	250
Closing force [kN]:	16
Torque [Nm]:	1200
Carrier weight [kg]:	3500
Number of teeth:	3



/// Available accessories

- Screw adaptors for quick-hitch Lehnhoff MS/HS
- Screw adaptors for other quick-hitches upon request
- Switching- Pivoting boom/
Second auxiliary circuit
- Adapter flange for internal solutions
- Softgrip
- Pipegrip

/// Delivery contents

- Grab with shells
- Screwed teeth
- Rotator

2-3,5t

SG3535

